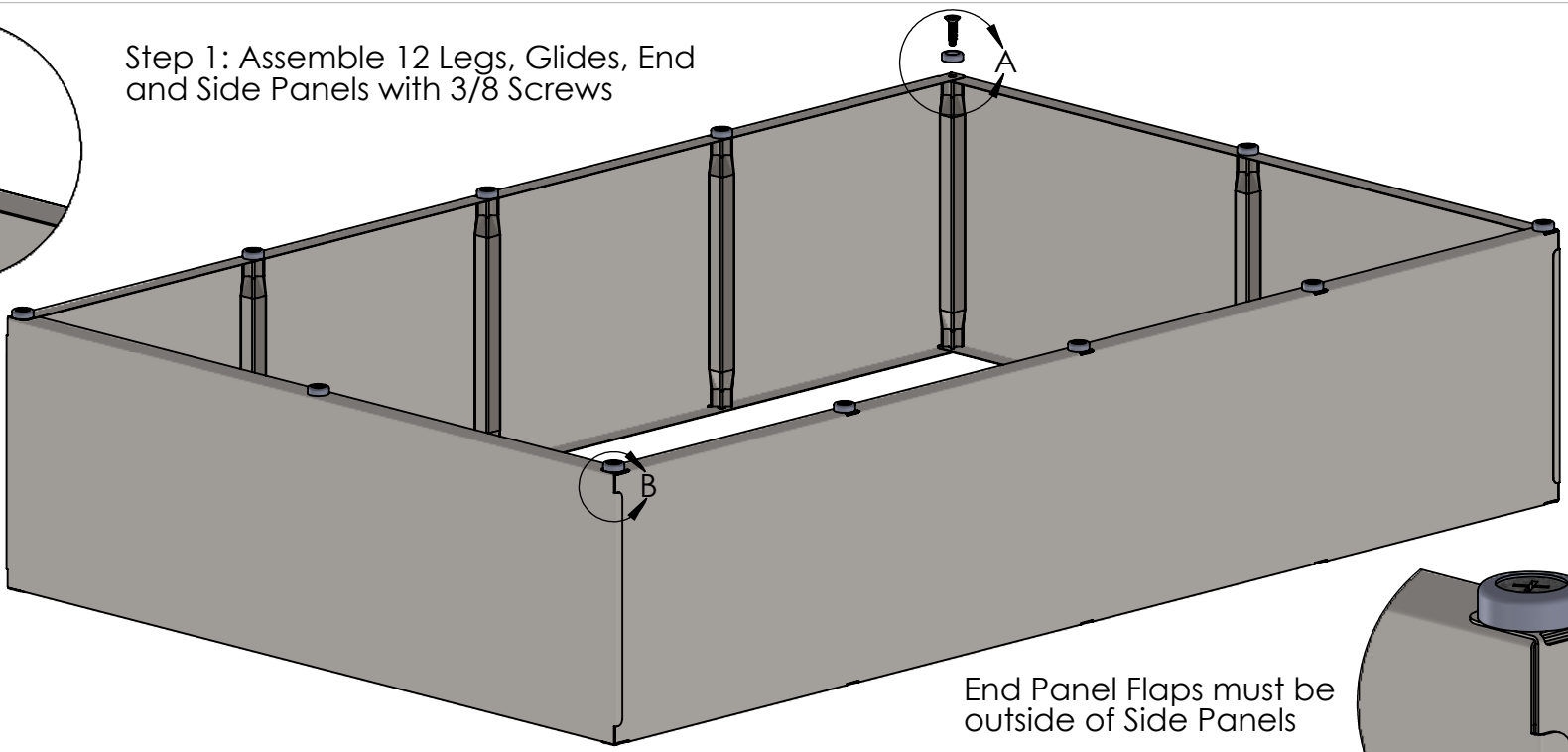
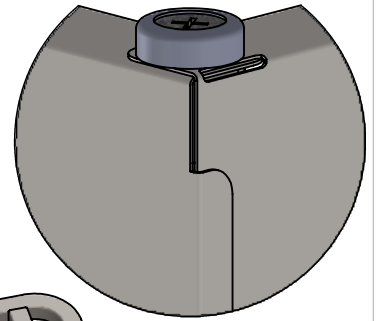


DETAIL A

Step 1: Assemble 12 Legs, Glides, End and Side Panels with 3/8 Screws

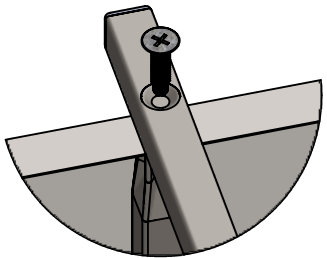
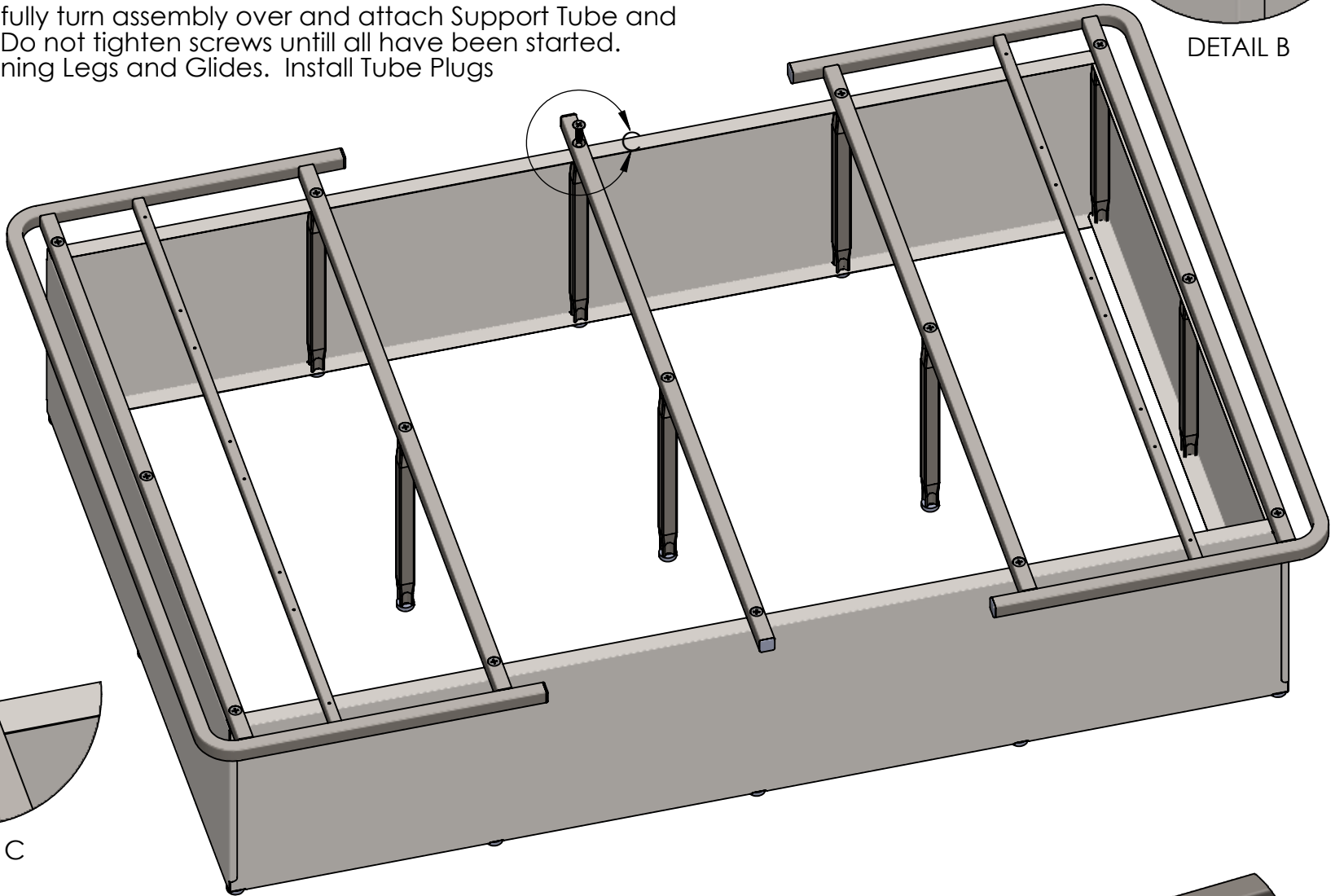


End Panel Flaps must be outside of Side Panels



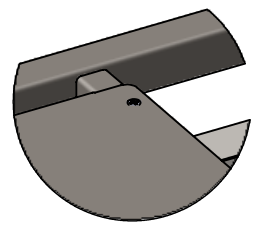
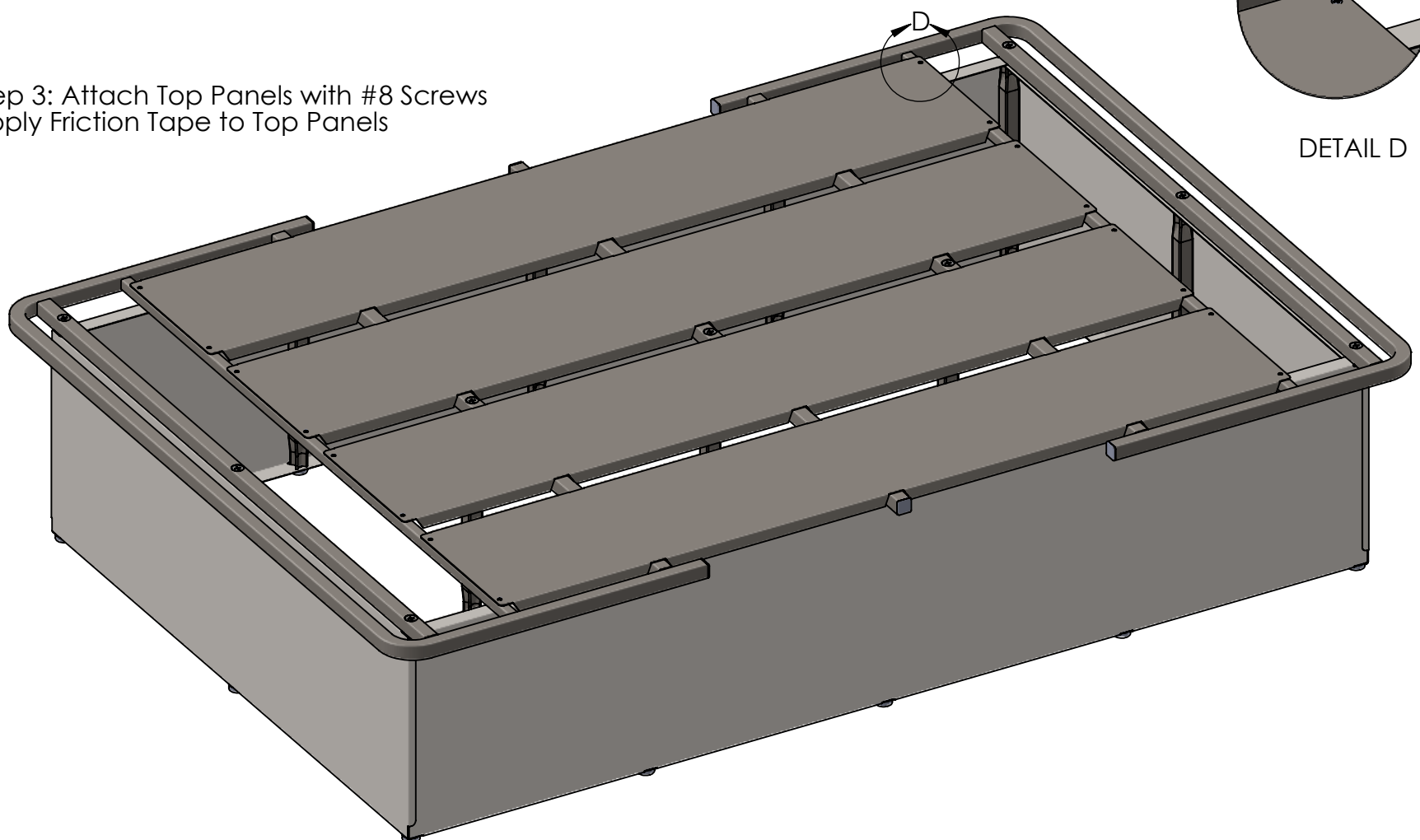
DETAIL B

Step 2: Carefully turn assembly over and attach Support Tube and Weldments. Do not tighten screws until all have been started. Add 3 remaining Legs and Glides. Install Tube Plugs



DETAIL C

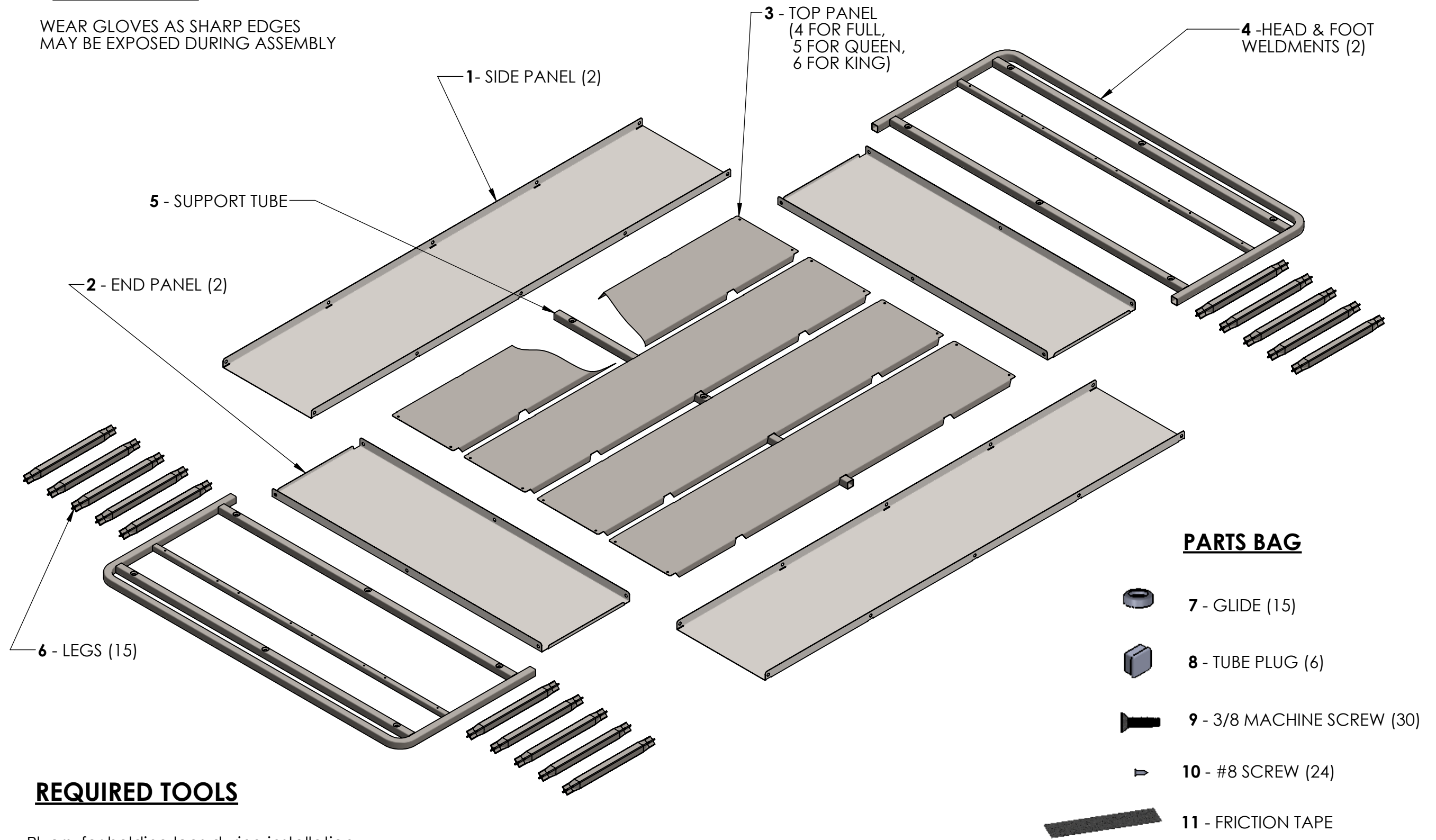
Step 3: Attach Top Panels with #8 Screws  
Apply Friction Tape to Top Panels



DETAIL D

## **IMPORTANT:**

WEAR GLOVES AS SHARP EDGES  
MAY BE EXPOSED DURING ASSEMBLY



## **REQUIRED TOOLS**

- Pliers, for holding legs during installation.
- #1 and #4 Phillips head screwdriver. (Power screwdriver strongly recommended.)
- Mallet to install tube plugs.