

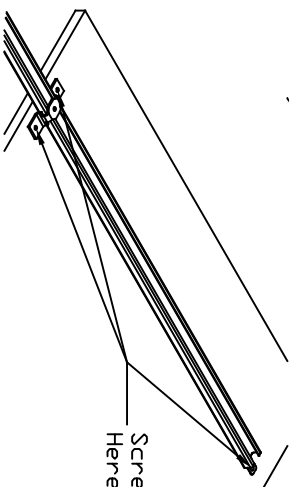
**GARRETT MIRROR SUPPORT GROUP, LLC**  
 Statesville, NC (704)873-3731

Dear Customer,

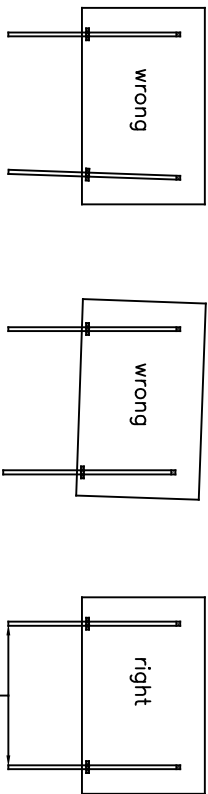
The employees of Garrett Mirror Support would like to thank you for the purchase of our product. You will have:

- 2 – Support Channels      14 – # 8 Wood Screws
- 6 – Brackets                6 – 1/4" Set Screws (in the brackets)

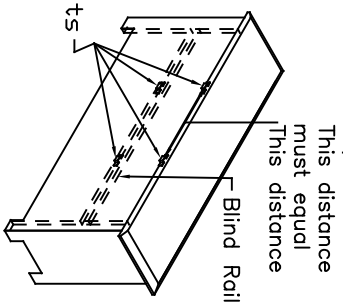
All Brackets and Screws are packed inside the support channels. Any additional attachment devices such as wood or metal strips are not required and may be discarded.



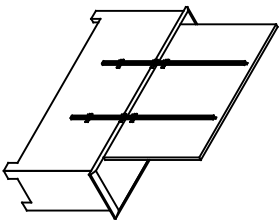
Step 1: Attach each support channel to the back of your mirror with one screw at the top and one bracket at the bottom. The supports should be square with the mirror and parallel with each other. Correct bracket location may be determined by letting the supports hang from the top screw when the mirror is level.



Step 2: Determine the location of the brackets on the back of the dresser. The brackets must vertically align with the brackets on the mirror. Fasten two brackets at the top edge of the dresser. The other brackets should be attached to the reinforcing "blind rail" if possible. The "blind rail" is visible on the inside of the dresser with the drawers removed. A "blind rail" may not be present on all furniture.



Step 3: Insert supports attached to mirror, into brackets mounted on dresser. Move mirror to desired height and tighten set screws.



Thank you again for your purchase!  
 Sincerely,  
 The employees of Garrett Mirror Support.

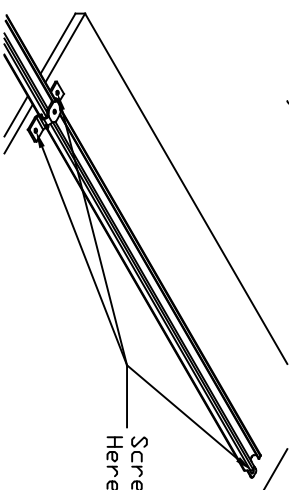
**GARRETT MIRROR SUPPORT GROUP, LLC**  
 Statesville, NC (704)873-3731

Dear Customer,

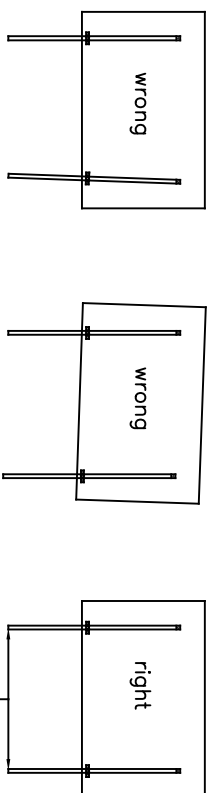
The employees of Garrett Mirror Support would like to thank you for the purchase of our product. You will have:

- 2 – Support Channels      14 – # 8 Wood Screws
- 6 – Brackets                6 – 1/4" Set Screws (in the brackets)

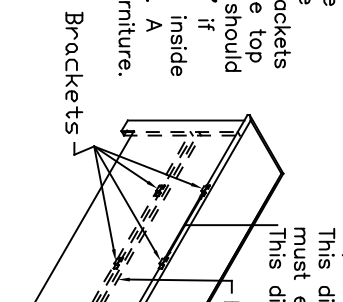
All Brackets and Screws are packed inside the support channels. Any additional attachment devices such as wood or metal strips are not required and may be discarded.



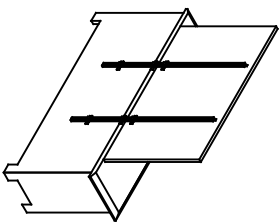
Step 1: Attach each support channel to the back of your mirror with one screw at the top and one bracket at the bottom. The supports should be square with the mirror and parallel with each other. Correct bracket location may be determined by letting the supports hang from the top screw when the mirror is level.



Step 2: Determine the location of the brackets on the back of the dresser. The brackets must vertically align with the brackets on the mirror. Fasten two brackets at the top edge of the dresser. The other brackets should be attached to the reinforcing "blind rail" if possible. The "blind rail" is visible on the inside of the dresser with the drawers removed. A "blind rail" may not be present on all furniture.



Step 3: Insert supports attached to mirror, into brackets mounted on dresser. Move mirror to desired height and tighten set screws.



Thank you again for your purchase!  
 Sincerely,  
 The employees of Garrett Mirror Support.